

SECTION 11110

LAUNDRY WASHER-EXTRACTOR, 18 LB. (8.2 KG) CAPACITY

PART 1 GENERAL

1.01 SECTION INCLUDES:

- A. Automatic laundry washer-extractor for processing water-washed linen items

1.02 SYSTEM DESCRIPTION

A. DESIGN REQUIREMENTS:

1. Construction: 304 or equal stainless steel cylinder, tub, front & top panels
2. Input voltage: 208-240/60/1 or 3, 3 wire plus ground
3. Dry weight capacity: 18 lb. (8.2 kg)
4. Wash cylinder volume: 2.7 cu ft (76,456 cu cm) minimum
5. Overall width: 26 inches (660 mm) nominal
6. Overall height: 40-3/5 inches (1031 mm) nominal
7. Overall depth: 30-11/16 inches (780 mm) nominal
8. Number & size of water supply inlet valves: 3 at 1/2 inch (13 mm), with 3/4NH (19 mm) male connections
9. Number & size of drain outlets: 1 at 2 inch (51 mm)
10. Overflow: Internally plumbed
11. Control system: Programmable microprocessor
12. Cylinder drive: Single motor 1 hp, capable of 1000 RPM maximum, using a rotation sensor to monitor performance
13. Bearing lubrication: Shall use permanently lubricated bearings
14. Door mechanism: Shall use a push button handle for ease of use

B. PERFORMANCE REQUIREMENTS:

1. Number of selectable cylinder speeds: 7, including 1/2 speed for processing delicate items
2. G-force at highest extract speed: 296 G's
3. Chemical supply system
 - a. manually filled 3 compartment dry chemical dispensing system
 - b. automatic flushing & connections for 8 external liquid supply lines & control signals for 5 external supplies
4. Programmable infinite water levels
5. Control system
 - a. programmable microprocessor
 - b. 99 cycle capacity
 - c. RS-232 PC link for programming
 - d. capable of precise temperature controlled fills

- e. thermal cooldown
 - f. overnight soak
 - g. cycle count
 - h. time remaining display
6. Drain valve automatically opens in event of power failure

1.03 DELIVERY, STORAGE & HANDLING

A. ACCEPTANCE AT SITE:

- 1. Inspect machine for damage prior to acceptance. If damage is found, follow freight handler's procedure for claims.

B. STORAGE & PROTECTION

- 1. Machine should be stored in a site protected from weather, direct sunlight & temperature extremes. Do not remove packaging prior to storage.
- 2. If machine is to be stored for an extended period of time, consult manufacturer for special requirements.

1.04 SYSTEM STARTUP & COMMISSIONING

- A. Machine installation should be inspected by local manufacturer's representative prior to startup & operation. The party installing the machine is responsible for setting the schedule for this inspection.

PART 2 PRODUCTS

- A. Source quality
- B. Alliance Laundry System LLC - UniMac, obtain commercial laundry equipment from a single manufacturer

1.02 QUALIFIED MODELS

- A. UniMac model **UX18PV** (no substitution)

PART 3 EXECUTION

1.01 INSTALLATION

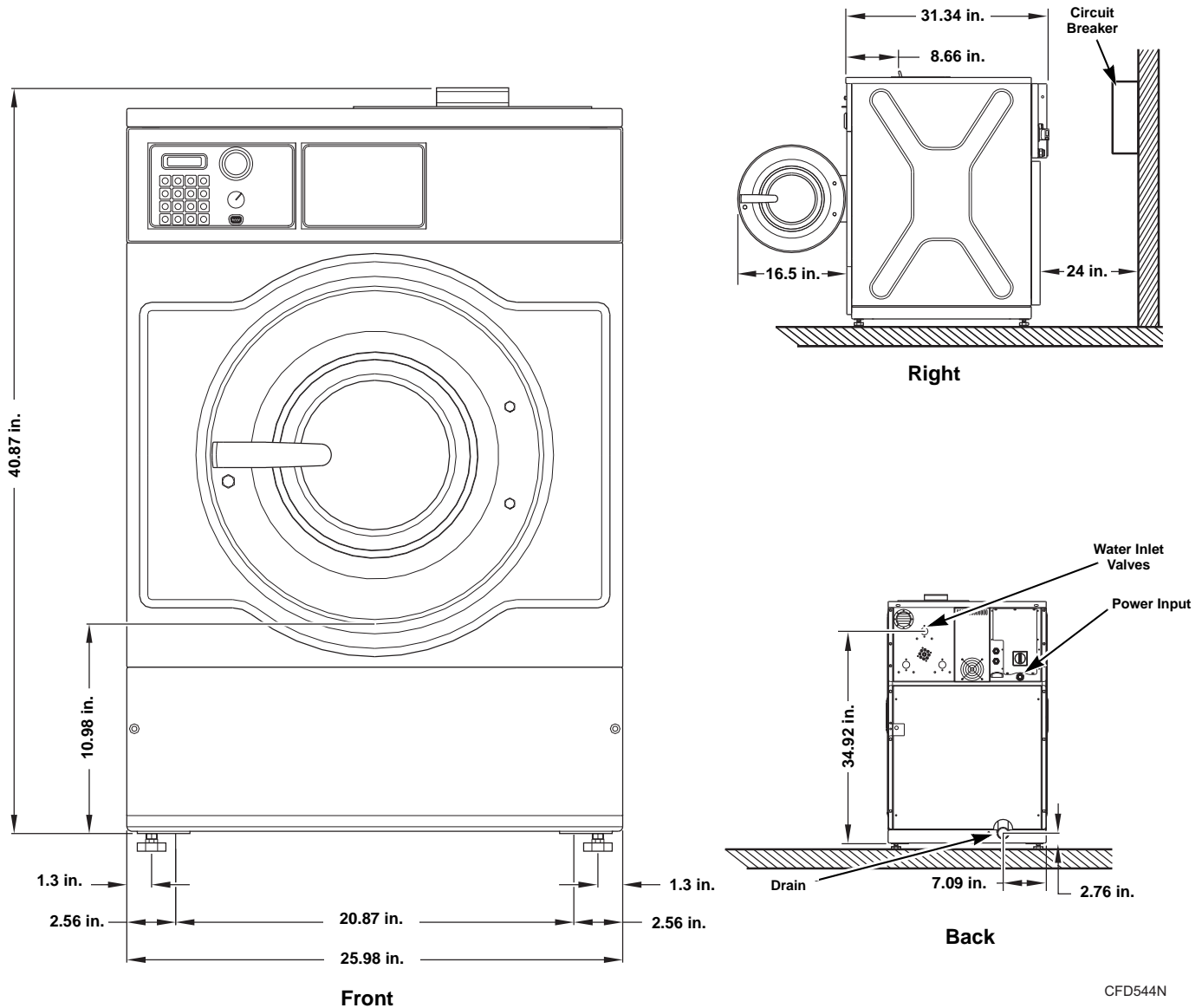
- A. Refer to & comply with manufacturer's installation instructions. Do not deviate without permission from site owner, architect, general contractor & manufacturer's local representative.

Machine Dimensions and Specifications

Model UX18PV



Dimensions and Foundation Requirements



Electrical Specifications

| Voltage Designation | | | | | Non-Electric Heat Machines (Standard) | | | |
|---------------------|---------|-------|-------|--------|---------------------------------------|---------------------|-----|-----------------|
| Code | Voltage | Cycle | Phase | Wire | Full Load Amps | Breaker (Non Fused) | AWG | mm ² |
| N | 440-480 | 50/60 | 3 | 3+PE | 6 | 15 | 14 | 2.5 |
| X | 200-240 | 50/60 | 1/3 | 2/3+PE | 10 | 15 | 14 | 2.5 |

Water, Drain and Weight Specifications

| | |
|---|---|
| Drain: Number (Size) | 1 (2 in.) |
| Fill Water Inlets: Number (Size) | 3 (0.75 in.) |
| Weight: Machine (With Shipping Packaging) | 465 lbs. (514 lbs.) |
| Side Clearance: | 6 in. (minimum) 18 in. (recommended) |